

**1 1/2" X 1 1/2" HOSE RACK ASSEMBLY**

Series 3000 and 3100 Hose Rack Assemblies permit one man operation and provide immediate means of fire control. These units are capable of delivering the nationally recognized standard of 100 GPM at 65 P.S.I. at the nozzle and are rated for Class II Service under NFPA/FEMA Class of Service.



**3000-3100 Series**

**STANDARD EQUIPMENT:**

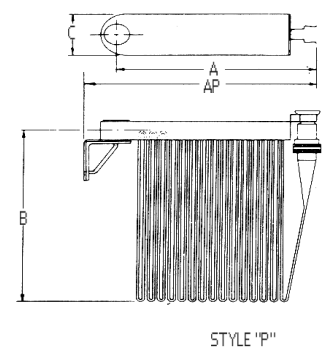
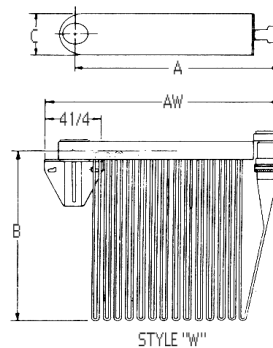
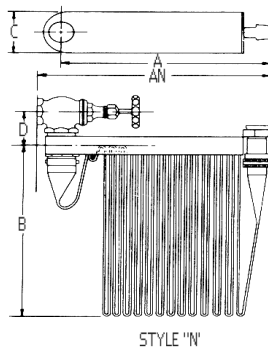
- No. 3401- 1 1/2" Single Jacket Lined Hose
- No. 3440- 1 1/2" Cast Brass Coupling
- No. 3460- 1 1/2" Industrial Fog Nozzle U/L
- No. 5040- 1 1/2" Cast Brass Angle Valve U/L
- No. 5730- 1 1/2" Cadmium Plated Escutcheon
- No. 3351- Red Enamel Pin Rack U/L
- No. 3365- 1 1/2" Cast Brass Nipple

Figure No.	Hose Length	Hose Diameter	Hose Type	Valve Size	Dimensions				
					A	B	C	D	AN
<b>Basic Unit As Regularly Furnished (above)</b>									
<b>3005</b>	50'	1 1/2"	POLY	1 1/2"	17 7/8	23	4 1/8	3 7/8	19 3/4
<b>3007</b>	75'	1 1/2"	LINED	1 1/2"	17 7/8	23	4 1/8	3 7/8	19 3/4
<b>3010</b>	100'	1 1/2"	HOSE	1 1/2"	17 7/8	25	4 1/8	3 7/8	19 3/4

Special order lengths available upon request.

<b>Basic Unit with Red Enamel Rack, Chrome Plated Brass Fittings and Chrome Plated Rough Brass Valve</b>									
<b>3105</b>	50'	1 1/2"	POLY	1 1/2"	17 7/8	23	4 1/8	3 7/8	19 3/4
<b>3107</b>	75'	1 1/2"	LINED	1 1/2"	17 7/8	23	4 1/8	3 7/8	19 3/4
<b>3110</b>	100'	1 1/2"	HOSE	1 1/2"	17 7/8	25	4 1/8	3 7/8	19 3/4

Special order lengths available upon request.



**FEMA/NFPA CLASS OF SERVICE**

Class 1 - Fire Service Only

Class 2 - Occupant Use

Class 3 - Fire Service or Occupant Use

**NOTE**

When specifying rack units consider NFPA Pamphlet No. 14 suggests and recommends the use of lined hose in lengths not exceeding 100' (30.0M) for interior hose cabinets.